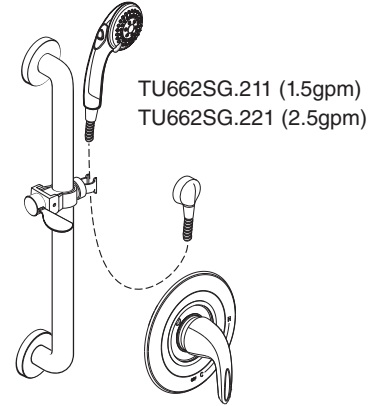


INSTALLATION INSTRUCTIONS

COMMERCIAL SHOWER SYSTEM KITS: 1.5 gpm & 2.5 gpm

TU662SG.211
TU662SG.221



TU662SG.211 (1.5gpm)
TU662SG.221 (2.5gpm)

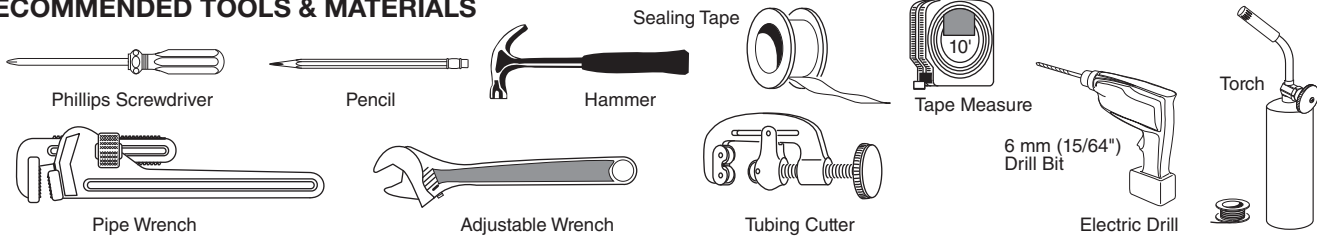
Thank you for selecting American Standard...
the benchmark of fine quality for over 140 years.

To ensure that your installation proceeds smoothly-please read
these instructions carefully before you begin.

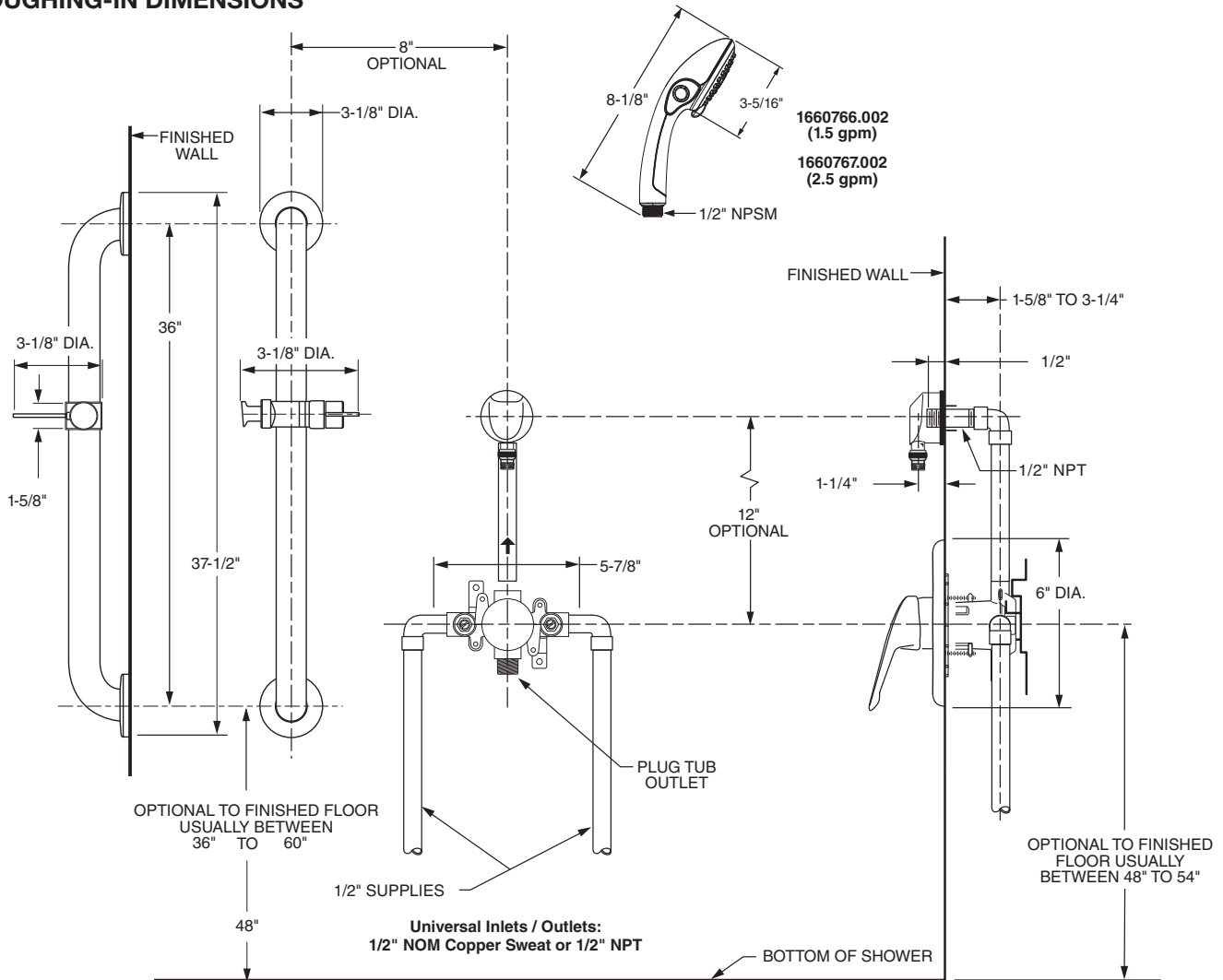
Installation must conform to all local building codes.

Certified to comply with ANSI A112.18.1

RECOMMENDED TOOLS & MATERIALS



ROUGHING-IN DIMENSIONS

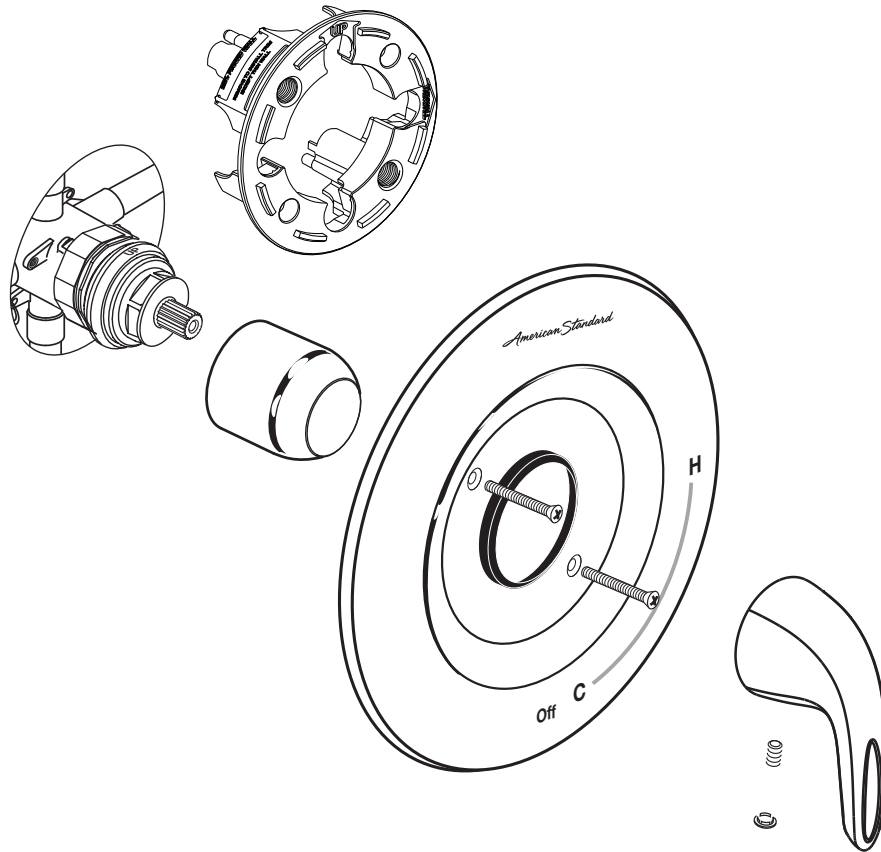


1 INSTALL VALVE TRIM

**NOTE: REFER TO INSTALLATION INSTRUCTIONS (M965937)
SUPPLIED WITH VALVE TRIM KIT FOR COMPLETE
INSTALLATION AND REPAIR PART INFORMATION.**

- When finished tiling the wall, remove PLASTER GUARD.

PLASTER GUARD



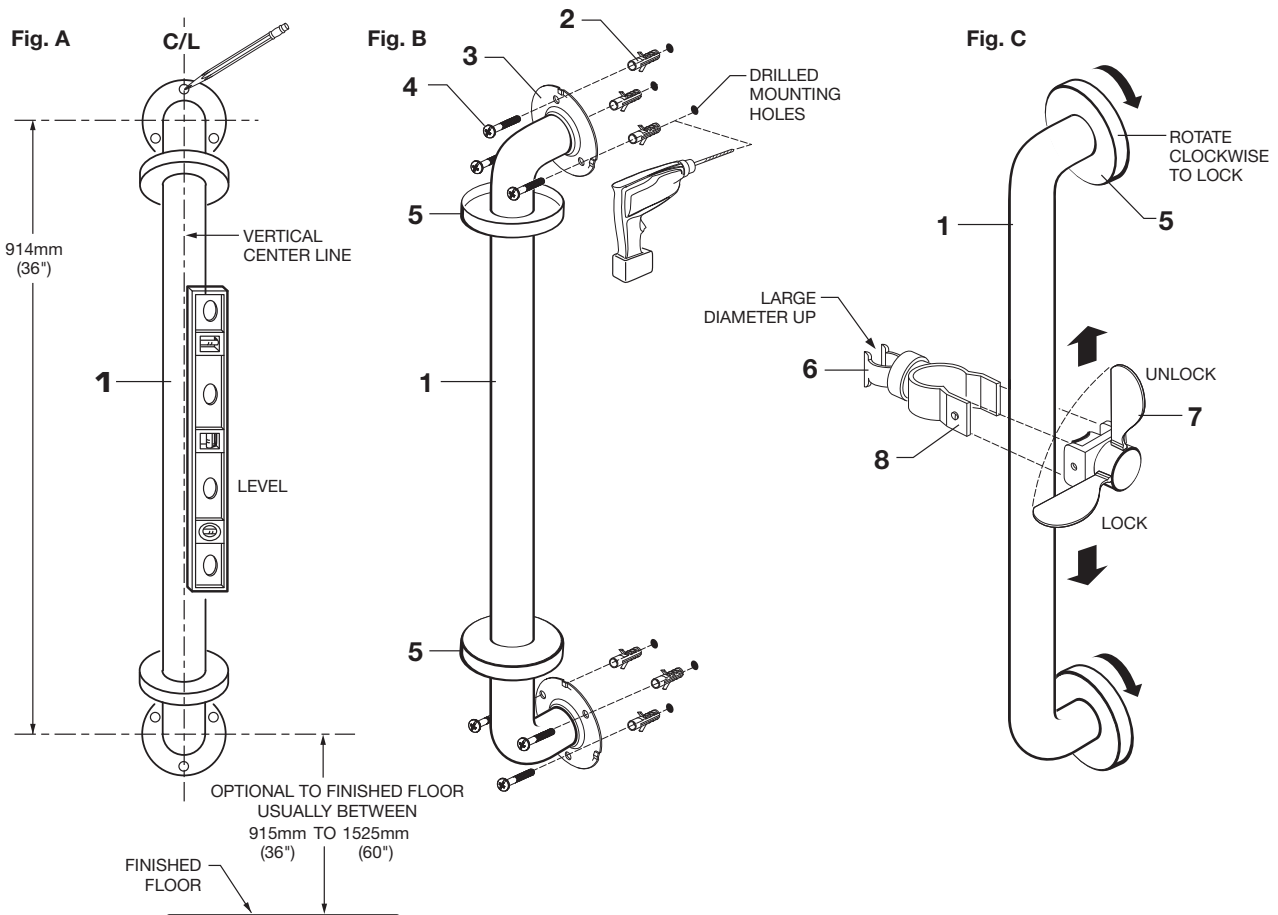
3 INSTALL WALL SUPPLY

- Supply to WALL SUPPLY is 1/2" NPT. See rough-in above for detailed information.
- Apply sealant or sealing tape to threads of 1/2" NPT supply nipple.



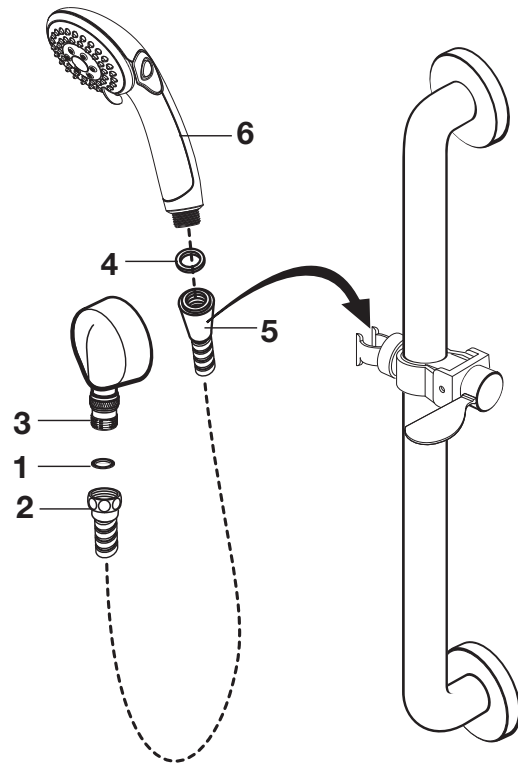
7 INSTALLATION INSTRUCTIONS

- The SLIDE BAR (1) works best when secured to the wall studs or cross brace using WOOD SCREWS. If mounting into the studs is not possible, use appropriate wall fasteners provided to secure the installation.
- Mark a vertical center line in the location you wish to install the SLIDE BAR (1). **NOTE: The height from the finished floor is optional. See rough-in drawing for suggested dimensions.**
- Determine desired height from the finished floor to the lower support and mark a horizontal center line. Slide the two WALL ESCUTCHEONS (5) away from the MOUNTING FLANGES (3). Position the SLIDE BAR (1) as shown in Fig. A and mark the location of the six mounting holes to be drilled. Fig. A. Using a #10 masonry drill, drill six mounting holes 1-1/4" max. deep. Fig. B.
- Install the six ANCHORS (2) provided into the mounting holes. Use a hammer to lightly tap ANCHORS (2) into place. Make sure they are installed flush against the finished wall. Fig. B.
- Align and place the SLIDE BAR MOUNTING FLANGES (3) over the installed ANCHORS (2). Secure the SLIDE BAR (1) to the wall with the SCREWS (4) provided. Fig. B.
- Push WALL ESCUTCHEONS (5) against finished wall. Rotate WALL ESCUTCHEONS (5) clockwise to lock into position. Fig. C.
- Make sure larger diameter side of SPRAY HOLDER (6) is facing upward. If not rotate SPRAY HOLDER (6) 180 degrees. Rotate the LEVER HANDLE (7) to the unlocked position. Push the SPRAY HOLDER (6) side onto the SLIDE BAR (1). Push the LEVER HANDLE SIDE (7) over the SPRAY HOLDER ARMS (8) until the two snap together.
- Check operation of SLIDE BAR (1) by rotating HOLDER LEVER (7) and moving HAND SHOWER HOLDER (9) up and down. Rotate LEVER HANDLE (7) back to lock HAND SHOWER HOLDER (6). Fig. B.



6 INSTALL HOSE AND HAND SHOWER TEST SHOWER SYSTEM

- Install SEAL (1) into COUPLING NUT (2). Connect COUPLING NUT (2) to WALL SUPPLY NIPPLE (3) and tighten.
- INSTALL second SEAL (4) into SPRAY HOSE END (5) and connect HAND SHOWER (6) to SPRAY HOSE END (5). Hand tighten.
- Turn on water supplies and check all functions of the SHOWER SYSTEM KIT. Check for any leaks.



CARE INSTRUCTIONS:

DO: SIMPLY RINSE THE PRODUCT CLEAN WITH CLEAR WATER. DRY WITH A SOFT COTTON FLANNEL CLOTH.

DO NOT: DO NOT CLEAN THE PRODUCT WITH SOAPS, ACID, POLISH, ABRASIVES, HARSH CLEANERS, OR A CLOTH WITH A COARSE SURFACE.

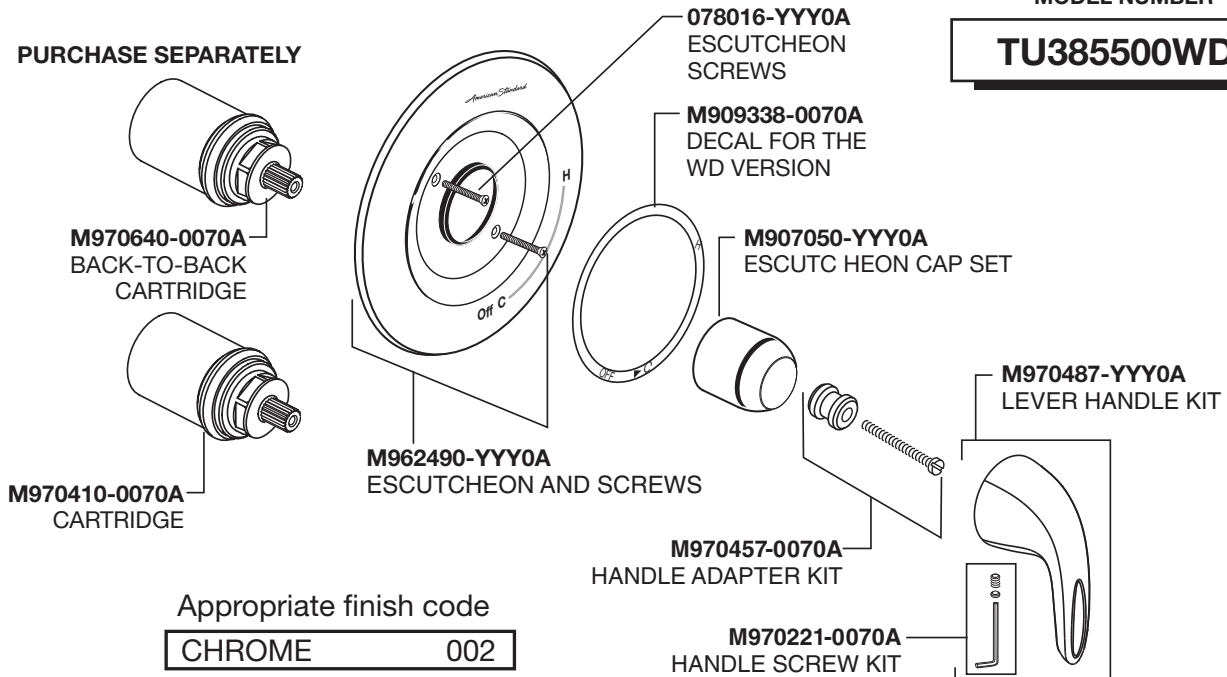
American Standard

RELIANT 3 PRESSURE BALANCING BATH & SHOWER TRIM

MODEL NUMBER

TU385500WD

PURCHASE SEPARATELY



Appropriate finish code

CHROME 002

American Standard

36" SLIDE BAR

1660.236.002

3-FUNCTION HAND SHOWER

1660766.002
(1.5 gpm)

1660767.002
(2.5 gpm)



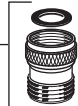
WALL SUPPLY

8888.037.002

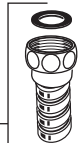
8888037.002
WALL SUPPLY



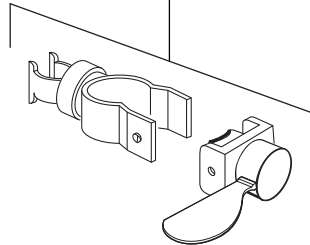
M962520-0020A
CHECK VALVE



030782-0020A
HOSE KIT



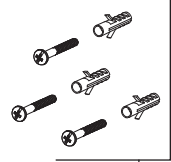
M9641800020A
SPRAY HOLDER
ASSEMBLY



METAL HOSE

8888.035.002

M964179-0070A
MOUNTING KIT



Appropriate finish code

CHROME 002

HOT LINE FOR HELP

For toll-free information and answers to your questions, call:
1 (800) 442-1902

Mon. - Fri. 8:00 a.m. to 8:00 p.m. EST
Saturday 10:00 a.m. to 4:00 p.m. EST

IN CANADA 1-800-387-0369
(TORONTO 1-905-306-1093)

Weekdays 8:00 a.m. to 7:00 p.m. EST

IN MEXICO 01-800-839-1200



PART OF **LIXIL**